

Since 1968

<https://www.zbm.co.il>

מדריך למשתמש שפורפרת אינטרקום dp-2s

User Manual

DOOR PHONE DP-2S



COMMAX
SmartHome & Security



1-700-500-717

www.commax.com

COMMAX Co.,Ltd.



- Thank you for purchasing COMMAX products.
- Please carefully read this User's Guide (in particular, precautions for safety) before using a product and follow instructions to use a product exactly.
- The company is not responsible for any safety accidents caused by abnormal operation of the product.



Contents

Introduction	2
Important Safeguard	3
1. Parts names.....	4
2. Wiring.....	5
3. Installation.....	6
4. Caution	7
5. Operation	7
6. Specification	8



1. Introduction

Your unit is designed so it can be flush mounted on the or used. When flush mounted on the wall, the stand permits you to the unit for an gular of unit view. The model number is located on the bottom and record the serial number in the space provided below(available). Refer to these numbers whenever you call upon your COMMAX dealer regarding this product.

Model No.

Serial No.

To prevent fire or shock hazard, do not expose the unit to rain or moisture.



This symbol is intended to alert the use to the presence of uninsulated **"dangerous Voltage"** within the product' s enclose that may be of sufficient magnitude to constitute a risk of electric shock to persons.



This symbol is intended to alert the use to the presence of important operating and maintenance(servicing) instructions in the literature accompanying the appliance



caution

Rosk of electric shock
do not open



CAUTION: To reduce the risk of electrix shick, do not remove cover(or back) no user-serviceable part sinside refer servicing to quared service personnel

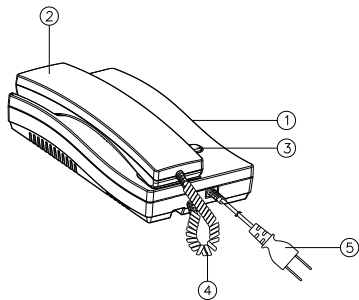


2. Important Safeguards

- ▲ **Damage Requiring Service:** This equipment from the power source and source and refer servicing to qualified service personnel under the following conditions:
 - Ⓐ when the power is damaged.
 - Ⓑ if liquid has been spilled or objects have fallen into the unit
 - Ⓒ if the equipment has been exposed to rain or water.
 - Ⓓ if the equipment has been dropped or otherwise damaged.
 - Ⓔ when the equipment exhibits a distinct change in performance- this indicates a need for service.
- ▲ **Water and Moisture:** Do not use this product near water, for example, near a bath tub, wash bowl, kitchen sink, or laundry tub, in a wet basement, or near a swimming pool, and the like.
- ▲ **Accessories:** The product may fall, causing serious injury to a child or adult, and serious damage to the appliance. Any mounting of the manufacturer's instructions, and should use a mounting accessory recommended by the manufacturer.
- ▲ **Object and Liquid Entry:** Never push objects of any kind into this product through openings as they may touch dangerous voltage points or short-out parts that could result in a fire or electric shock. Never spill liquid of any kind on the product.
- ▲ **Lightning:** For added protection for this product before a lightning storm, or when it is left unattached and unused for long periods of time, unplug it from the wall outlet and disconnect the other system. This will prevent damage to the product due to lightning and power-line surges. If you live in an area heavily prone to lightning storms, it is recommended that you invest in power-line, telephone-line, RF cable and actuator/ polarization surge protectors to protect your appliance system from possible damage



3. Overview



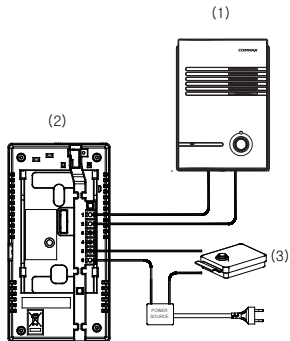
- ① VOLUME CONTROL
- ② HANDSET
- ③ DOOR RELEASE BUTTON
- ④ S-CORD
- ⑤ POWER CORD



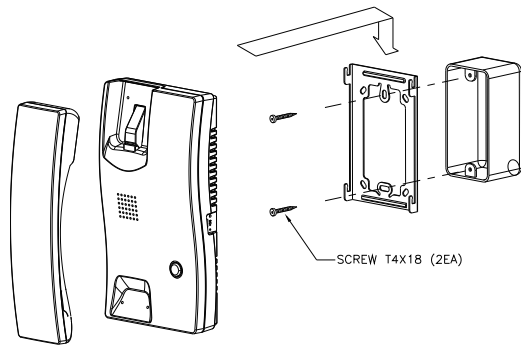
4. Wiring

AC220V

- Non polarity wiring with Sub Unit(1) and Master Unit (2).
- Door Release(3) should be provided with additional power source.



5. Installation





6. Caution

- It is only available with wall mount-type, not for desk type.
- Please do not install the product in the following place.
 - >>> Where there is much humidity and big difference in temperature.
 - >>> Where there is much sunlight and rain.
 - >>> Where there is much vapor and gas.



7. Operation

[SUB UNIT]

1. Electric chime call.
2. Back call tone for visitor.
3. Hands free talk within 30cm.

[MASTER UNIT]

1. Lift up handset(②) and talk when a call's coming.
2. Control a call sound with volume control(①).
3. Door release button(③) able to open the door.



6. Specification

model	DP-2S
Power Source	100/110/120/220/230/240V~, 50/60Hz
Consumption Power	4.5W(MAX)
Distance	100m(Ø0.65mm), 150m(Ø0.8mm)
Wiring	Call : 2-wire, DoorRelease : 2-wire(Ø1.6mm Copper wire)
Dimension(mm)	108(W)°X210(H)°X61.4(D)mm
Weight(g)	640g

COMMAX

COMMAX Co.,Ltd.

513-11, Sangdaewon-dong, Jungwon-gu, Seongnam-si, Gyeonggi-do, Korea
Int'l Business Dept. : Tel.; +82-31-7393-540~550 Fax.; +82-31-745-2133
Web site : www.commax.com

Printed In Korea / 2012.03.105